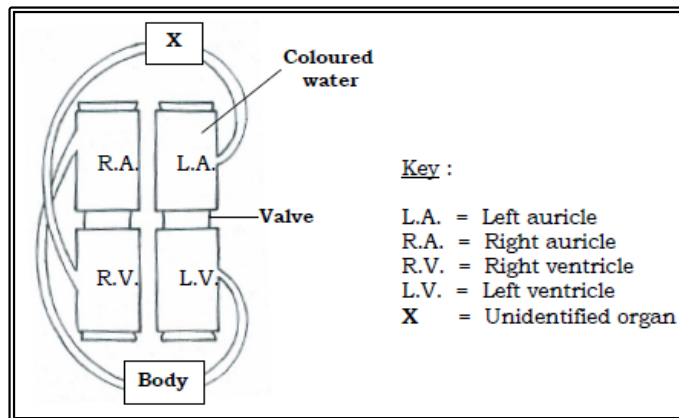


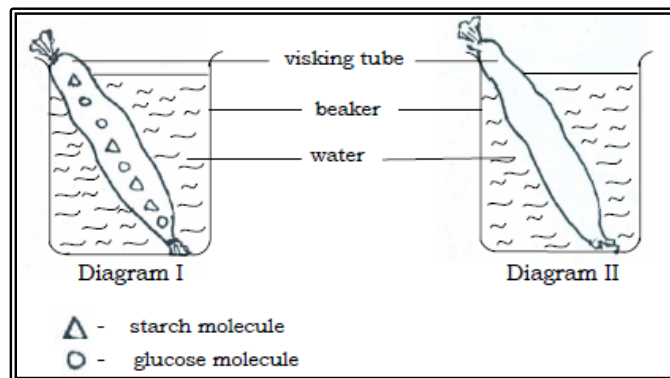
MINISTRY OF EDUCATION, HERITAGE AND ARTS
YEAR 10 BASIC SCIENCE
REVISION WORKSHEET 7

Write the answers to the following questions in your exercise/activity books.

1. Given below is a diagram of a Model Heart. Study the diagram to answer the questions that follow.



- i. Identify organ X. (1 mark)
 - ii. The valves are located between the auricles and the ventricles. State the function of the valves. (1 mark)
2. The diagram below shows the set-up used by a class to investigate the passage of food through a membrane.
- i. Use the symbols (Δ , O) on Diagram II to show where the starch and glucose molecules are expected to be found after 30 minutes.



- ii. Explain how the visking tubing is similar to the walls of the digestive tract. (2 marks)
- iii. Describe how the presence of glucose in this experiment can be tested. (2 marks)

The End